

#HiddenCChampion

The new Concealed Carry-Pistol SFP9CC



#HiddenCChampion SFP9CC



The SFP9CC is the micro-compact 9 mm x 19 concealed carry pistol for users with premium requirements whose values are based on quality, safety, reliability and performance.

Indispensably inconspicuous. Exemplary safety.

With a full 10 round magazine fitted, the SFP9CC weighs only 520g and with a size of just 153 x 29 x 112mm, the SFP9CC is almost as small as a smart phone and the ideal solution for concealed carry in any situation.

Thanks to the integrated safety features, gun carriers are effectively protected at all times. For example, the Safe Stop Control function ensures that the trigger remains interrupted until the slide is fully closed. The Smart Safe Action system, on the other hand, only unlocks the pistol once a safe gas pressure level has been reached for the shooter after the pistol has been fired. Trigger, hammer and disassembly safety are identical to the SFP9 family.

The SFP9CC is also impressively powerful thanks to the integrated Recoil Motion Control function. A buffer ensures stability and consistently smooth shooting behaviour. The recoil energy is reduced, the deflection of the pistol is safely controlled and the precision with fast target acquisition improved.

The micro-compact SFP9CC is the #HiddenCChampion among concealed carry pistols.



Modular. DIY-Frame Design for maximum individuality.



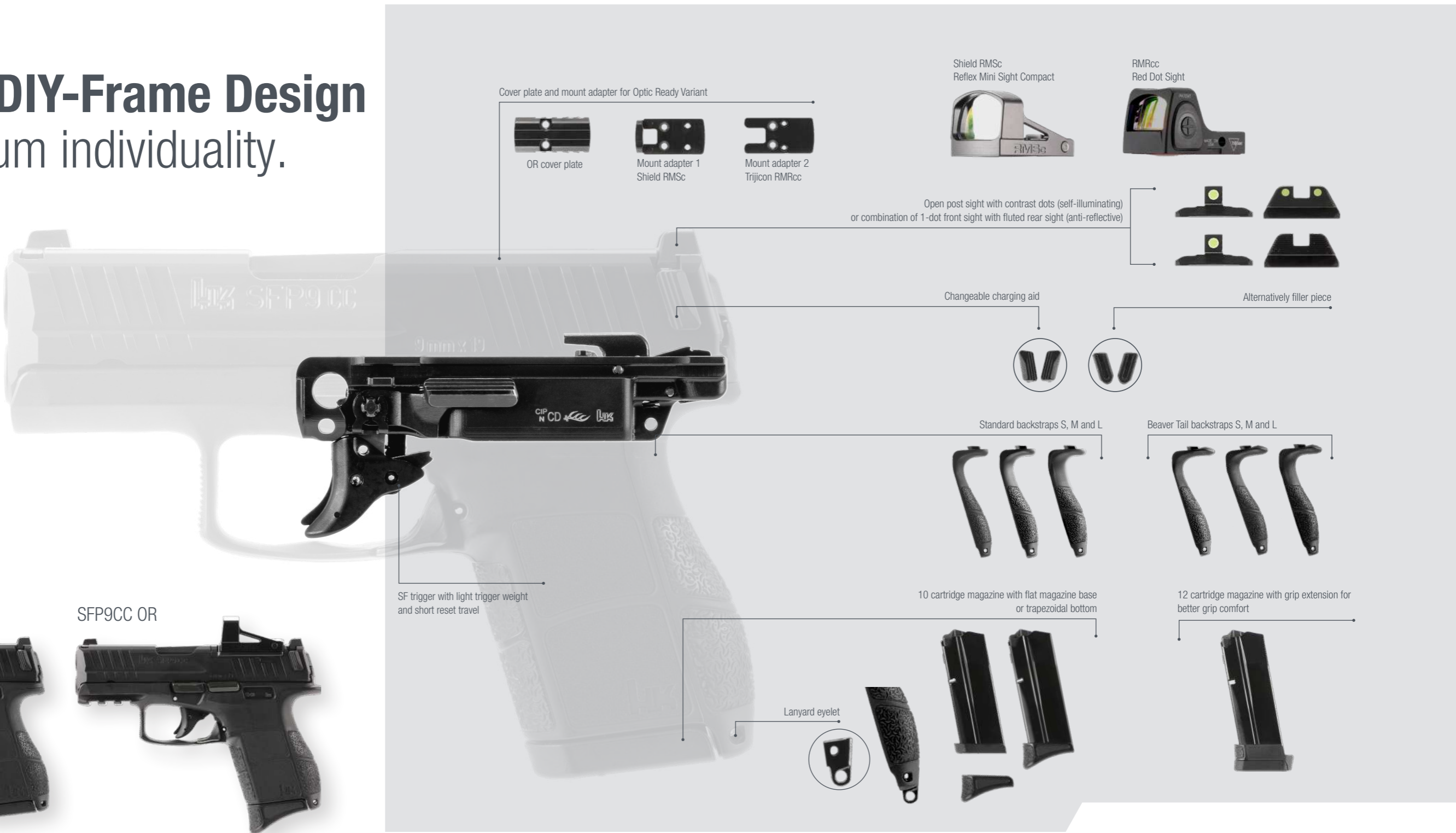
Do It Yourself!
Configure your own individual
concealed carry pistol thanks
to the SFP9CC frame design.

Choose your preferred grip and
combine it with the desired slide.
Complete your basic configuration
with the matching selection of
HK original accessories and create
your own personal service pistol
for your intended use.

SFP9CC



SFP9CC OR



Technical data

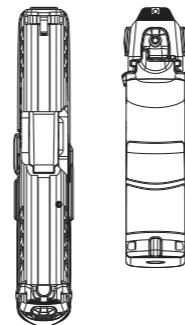
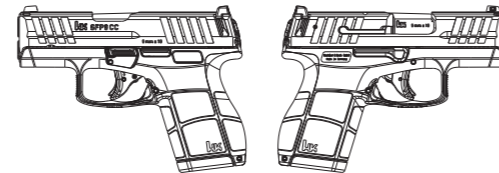
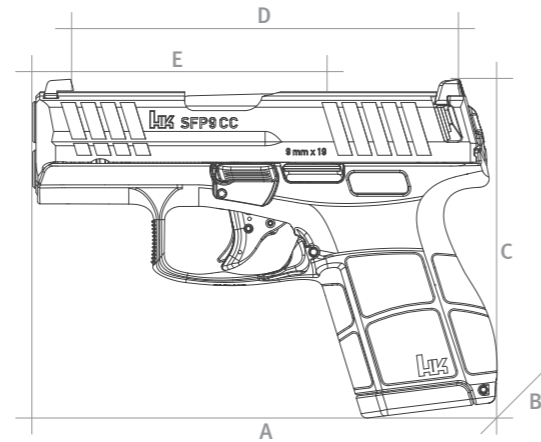
SFP9CC / SFP9CC OR

General	SFP9CC / SFP9CC OR
Caliber	9 mm x 19
Operating principle	Recoil-operated
Bolt system	Modified Browning locking system
Magazine capacity	10 / 12 rounds
Cartridge support	Magazine
Trigger system	Single Action (SA)
Trigger pull	25 N
Trigger travel / Return travel (reset travel)	5 mm / 3 mm ₁
Muzzle velocity - v ₅ -	390 m/s ₂
Muzzle energy - E ₅ -	465 J ₂
Barrel profile / twist	Polygonal profile, 6-grooves / right-hand twist
Sight	Open post sight with dots (self-illuminating)

¹ For quick firing cycles, the trigger does not have to be released to its basic position. ² Ammunition: RUAG Action 4

Dimensions	
A - Overall length	153 mm
B - Overall width	29 mm
C - Hight	112 mm
D - Sight radius	129 mm
E - Barrel length	80 mm

Weight	
Weapon	≈ 520 g
Magazine: 10 rounds (empty)	60 g



Top class down to the smallest detail

- Safe Stop Control: The trigger remains interrupted until the slide is fully closed
- Smart Safe Action: System only unlocks when a safe gas pressure level is reached for the user
- Frame Design: Modular DIY construction kit concept for individual pistol configuration
- Recoil Motion Control: Stability control thanks to integrated damping function for consistently harmonious and smooth shooting behaviour. Reduced deflection with reduced recoil and high precision with fast target acquisition
- Trigger, firing pin and disassembly safety identical to the SFP9 family
- Paddle design for out of the box right/left hand operation. Optional push button design magazine release
- Grip frame alternatively with Picatinny rail for mounting tactical light/laser illuminants
- Pre-assembled cover plate for Optic Ready variant as standard
- Compact, handy and thanks to its low weight, optimally suited to Concealed Carry applications
- Ergonomically optimized grip positions thanks to interchangeable standard backstraps or Beaver Tail backstraps, each available in sizes S, M and L
- Grip texture limited to the front and back sides to prevent potential snagging of the pistol on the garment
- Lock option with OR interface for attaching MRDS
- SF trigger with light trigger weight and short reset travel
- Patented interchangeable charging aids. Alternative filler insert for optimizing the pistol's contour
- 10 cartridge magazine with flat magazine base or trapezoidal shaped floor plate
- 12 cartridge magazine with grip extension
- Sophisticated modular OEM holster system (OWB, IWB, IWB Comfort, Micro and Nano) based on user-oriented concealed carry applications



Regarding the information in this catalog:

These refer to the time of publication of this catalog. The products are subject to constant further development. Changes may therefore have been made to the product after the time of publication. We reserve the right to make design or shape changes as well as deviations in Colour. The illustrations may also contain accessories and special equipment that are not part of the standard scope of delivery. Colour deviations are due to the printing process.



SFP9CC
concealed
application

  #hecklerundkochgermany